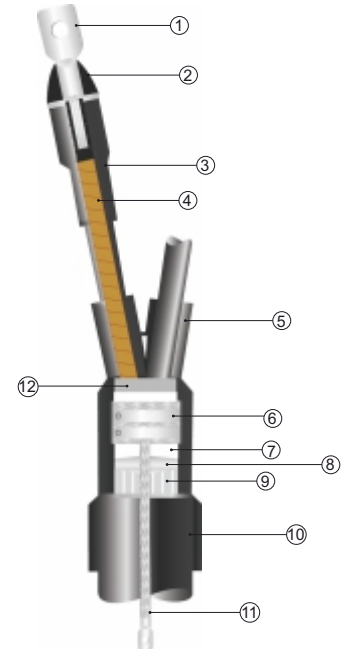


1.1 kV PVC / XLPE Termination



1.1 kV PILC Termination



XSE/O – PSE/O

**Heat Shrinkable Termination Upto 1.1 kV
For Low Tension PVC/XLPE/PILC Cable**

For PVC/XLPE Cable

1. Lug
2. Lug Sealing Tape
3. Lug Sealing Sleeve
4. XLPE/PVC Insulated Core
5. Weathering Sleeve
6. Worm Drive Clamp
7. Armour
8. Breakout
9. Tinned Copper Braid
10. Inner Sheath

Special Tail Length Available

For PILC Cable

1. Lug
2. Lug Sealing Tape
3. Lug Sealing Sleeve
4. PILC Insulated Core
5. Weathering Sleeve
6. Worm Drive Clamp
7. Lead Sheath
8. Plumbing
9. Armour
10. Breakout
11. Tinned Copper Braid
12. Inner Sheath

Special Tail Length Available

Leakage distance 25 mm/kV

40

Years of Experience

35

Countries Global Presence

200

Plus Skilled Manpower

4

World Class Manufacturing Facilities

50

Internationally Approved Products

DENSONS Heat Shrinkable Terminations and Straight Joints offer unsurpassed technical superiority. Using state-of-the-art manufacturing technology. Densons High Voltage products provide maximum protection against Tracking, Corona Discharge and Dielectric Stresses. Densons High Voltage Products are easily adaptable to cover a broad range of cable sizes, and conforming to various Internationally accepted standards such as **IS, VDE, IEC, IEEE**.

Specifications:

Test	
A.C. Dry withstand Voltage	3.5 kV AC
Impulse Voltage withstand	8.0 kV \pm Ve 10 Shots

Order Reference:

For 1.1 kV Indoor Terminations (for PVC/XLPE Cable)

PVC/XLPE Indoor Terminations	Cable Size (mm ²)	Kit Code
	4 x 16 - 35	XSE - 01
	4 x 50 - 95	XSE - 02
	4 x 120 - 185	XSE - 03
	4 x 225 - 300	XSE - 04
	4 x 400 - 500	XSE - 05

For 1.1 kV Outdoor Terminations (for PVC/XLPE Cable)

PVC/XLPE Outdoor Terminations	Cable Size (mm ²)	Kit Code
	4 x 16 - 35	XSO - 01
	4 x 50 - 95	XSO - 02
	4 x 120 - 185	XSO - 03
	4 x 225 - 300	XSO - 04
	4 x 400 - 500	XSO - 05

For 1.1 kV Indoor Terminations (for PILC Cable)

PILC Indoor Terminations	Cable Size (mm ²)	Kit Code
	4 x 16 - 35	PSE - 01
	4 x 50 - 95	PSE - 02
	4 x 120 - 185	PSE - 03
	4 x 225 - 300	PSE - 04
	4 x 400 - 500	PSE - 05

For 1.1 kV Outdoor Terminations (for PILC Cable)

PILC Outdoor Terminations	Cable Size (mm ²)	Kit Code
	4 x 16 - 35	PSO - 01
	4 x 50 - 95	PSO - 02
	4 x 120 - 185	PSO - 03
	4 x 225 - 300	PSO - 04
	4 x 400 - 500	PSO - 05

In conformance with C 81, VDE 0278 / TAIL I, BS 6346 / 5467, IS 7098 (Part I), IS 1554, IS 694 Type Test Reports Available On Request