

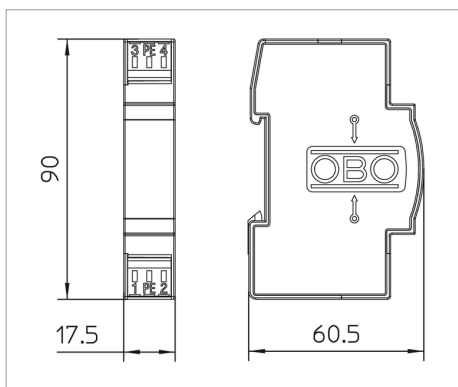
# Technical data sheet

## Medium and fine protection for two-core systems 48 V



Surge protection for use in measurement and control technology

- Medium and fine protection
- Standard design for double core systems
- Two-stage protection circuit
- With installation-friendly, screwless connection terminals
- In space-saving 17.5 mm grid
- With ohmic decoupling in the longitudinal branch



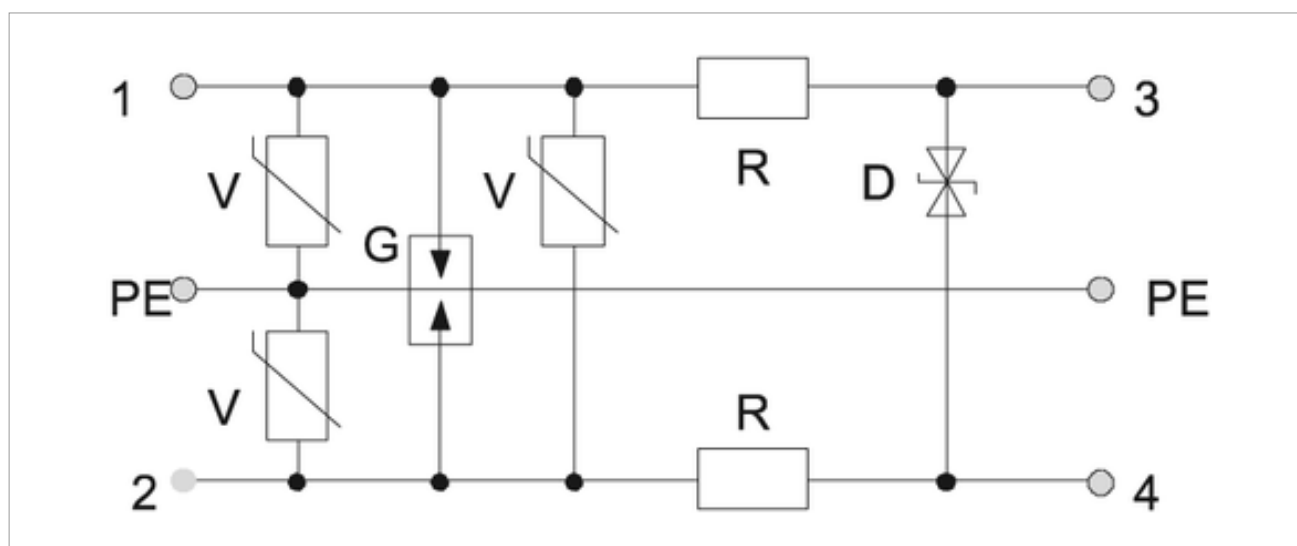
Application: Universal use on any 35 mm hat profile rail in every commercially available distributor housing.



Type	Maximum continuous operating voltage Vc/AC V	Maximum continuous voltage Vc/DC V	Number of poles	Connection system	Pack. pcs	Weight kg/100 pcs.	Art.-No.
FRD 5	5	8	2	Terminal	1	5.100	5098492
FRD 12	9	13	2	Terminal	1	5.100	5098506
FRD 24	19	28	2	Terminal	1	5.100	5098514
FRD 48	37	53	2	Terminal	1	5.100	5098522
FRD 110	86	122	2	Terminal	1	5.100	5098557

/pc.

## Connection-/Circuit diagram



Article number		5098492	5098506	5098514	5098522	5098557
Maximum continuous operating voltage Vc/AC	V	5	9	19	37	86
Maximum continuous voltage Vc/DC	V	8	13	28	53	122
Lightning protection Zone LPZ		0→3	0→3	0→3	0→3	0→3
Number of poles		2	2	2	2	2
Rated current	$I_L$ A	0.2	0.2	0.2	0.2	0.2
Serial impedance per path	$\Omega$	15 ± 10 %	15 ± 10 %	15 ± 10 %	15 ± 10 %	15 ± 10 %
Impulse durability line-earth		C2: 10 kV / 5 kA	C2: 10 kV / 5 kA	C2: 10 kV / 5 kA	C2: 10 kV / 5 kA	C2: 10 kV / 5 kA
Total Impulse durability (10/350)	kA	D1: 3 kA	D1: 3	D1: 3	D1: 3	D1: 3
Total arrester peak current (8/20)	kA	10	10	10	10	10
Voltage protection level line-line	V	15	30	60	140	300
Voltage protection level line-earth	V	600	600	600	600	600
Shielding connection available		No	No	No	No	No
Shield connection		-	-	-	-	-
Temperature range	$\vartheta$ °C	-40 - +80	-40 - +80	-40 - +80	-40 - +80	-40 - +80
Division unit TE (17.5 mm)		1	1	1	1	1
Connection cross-section, flexible	mm <sup>2</sup>	0.14 - 2.5	0.14 - 2.5	0.14 - 2.5	0.14 - 2.5	0.14 - 2.5
Connection cross-section, multi-wire	mm <sup>2</sup>	0.14 - 2.5	0.14 - 2.5	0.14 - 2.5	0.14 - 2.5	0.14 - 2.5
Connection cross-section, rigid	mm <sup>2</sup>	0.14 - 2.5	0.14 - 2.5	0.14 - 2.5	0.14 - 2.5	0.14 - 2.5
Testing standard		IEC 61643-21	IEC 61643-21	IEC 61643-21	IEC 61643-21	IEC 61643-21

## Legend



Russia, GOST The State Committee for Standards



Underwriters Laboratories Inc., USA



5-year warranty



Communautés Européennes, EC declaration of conformity according to EC directives



Transition from LPZ 0 to LPZ 3



Measuring, controlling and regulating systems