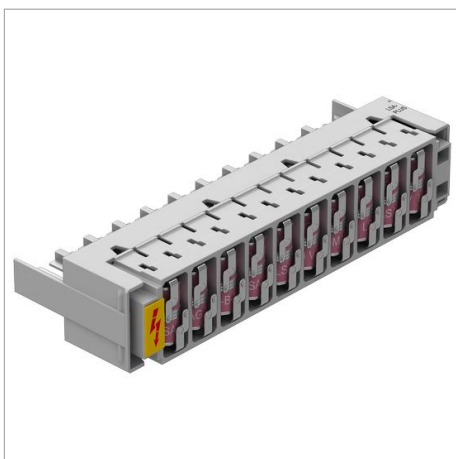


# Technical data sheet

## LSA-Plus technology / LSA basic protection



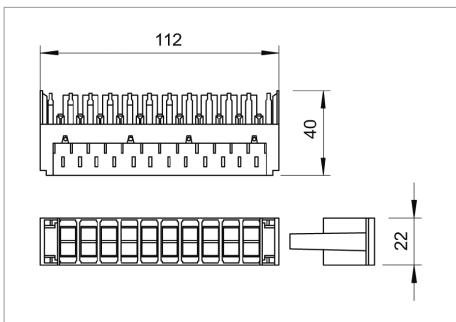
LSA-B-MAG: LSA basic protection magazine for use in multi-core data cable systems, MCR systems and telephone switchboards.

- Basic protection
- Fitted with 20 gas discharge protectors
- Max. voltage: 180 V

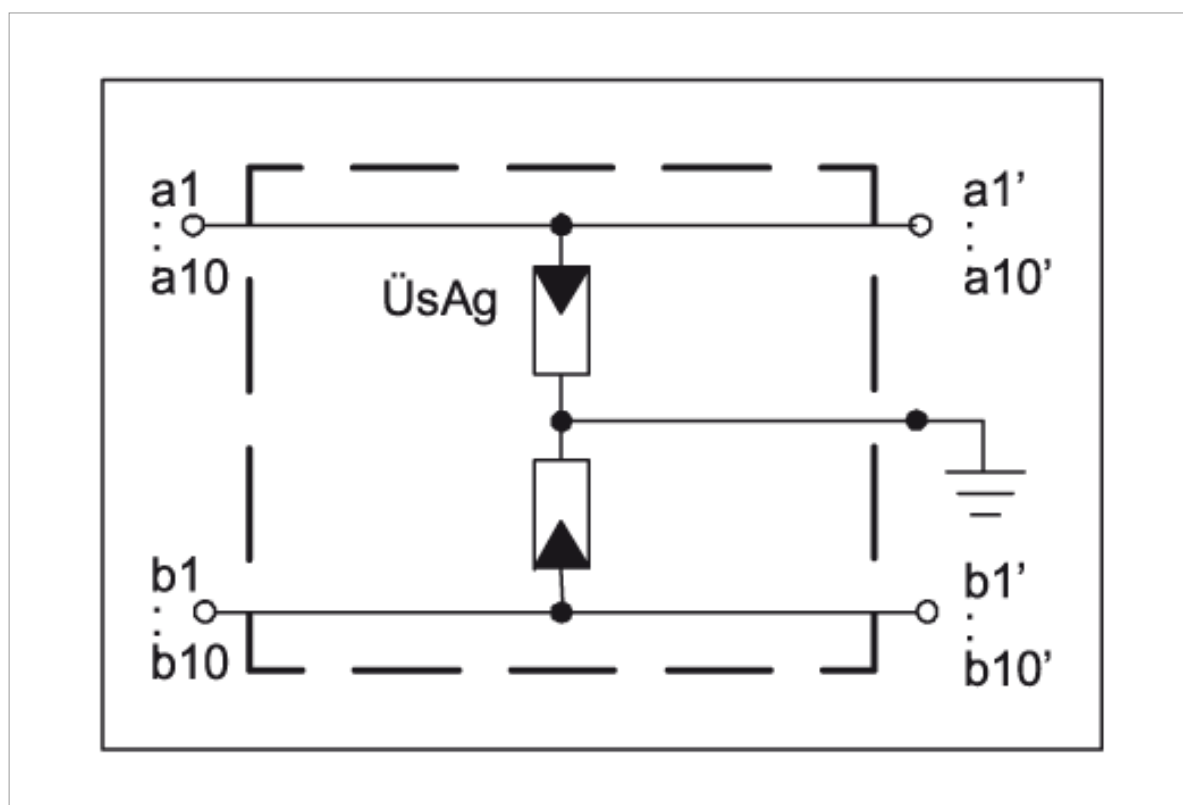
Application: Direct on LSA-Plus separation or connection bars

Type	Max. continuous operating voltage V	Pack. pcs	Weight kg/100 pcs.	Art-No.
LSA-B-MAG	180	1	8.600	5084020

/pc.




## Connection-/Circuit diagram

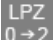


Article number			<b>5084020</b>
Max. continuous operating voltage	$U_C$	V	180
Lightning protection Zone LPZ			0→2
Impulse discharge current (10/350)	$I_{imp}$	kA	1
Nominal discharge current (8/20)	$I_n$	kA	5
Maximum discharge current	$I_{max}$	kA	10
Voltage protection level	$U_p$	kV	<0,700
Temperature range	$\vartheta$	°C	-40 - +80


## Legend

 Communautés Européennes, EC declaration of conformity according to EC directives

 Russia, GOST The State Committee for Standards


 Transition from LPZ 0 to LPZ 2

 Integrated Service Digital Network, ISDN applications

 Digital Subscriber Line, DSL applications

 Analogue telecommunication

 Measuring, controlling and regulating systems

 5-year warranty