

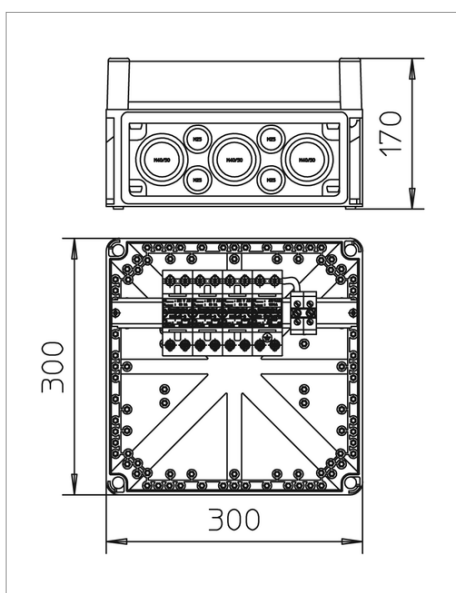
# Technical data sheet VG housing with MCD 50-B/3+1



Combination arrester, pre-installed in IP65 housing for use in TN-S and TT networks.

VG...: Lightning arrester system solution type 1 (Class B) according to DIN EN 61643-11.

- LightningController MCD 50-B and MC 125-B/NPE installed in insulating housing IP 65, sealable housing
- Pulsed current 125 kA 10/350  $\mu$ s BET-tested
- Conforms to requirements of VDN Directive, 2nd Edition 2004
- Protection level • Enclosed, non-extinguishing spark gap
- Suitable for TN-S and TT network systems



Application example: the system solution is used in the pre-meter area according to VDN Directive, 2nd Edition 2004.

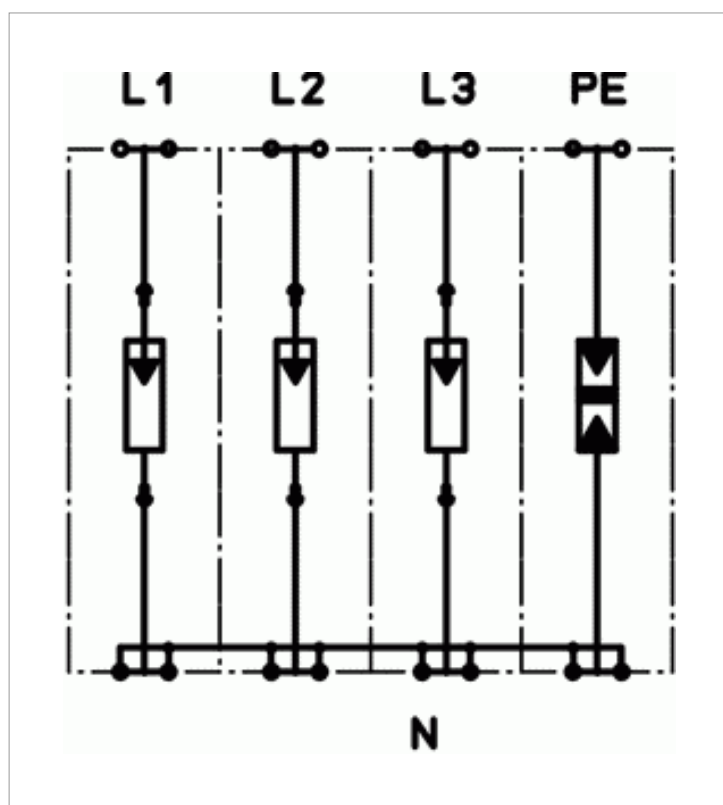
Type	Max. continuous operating voltage V	Version	Pack. pcs	Weight kg/100 pcs.	Art.-No.
MCD 50-B 3+1-VG	255	3 + NPE	1	290.000	5096875

**G** /pc.



Type 1 LPZ 0 → 2

## Connection-/Circuit diagram



Article number			<b>5096875</b>
Nominal voltage	$U_N$	V	230
SPD to EN 61643-11			Type 1
SPD to IEC 61643-11			class I
Lightning protection Zone LPZ			0-2
Impulse discharge current (10/350)	$I_{imp}$	kA	50
Total discharge current (10/350)	$I_{Total\ 8/20}$	kA	125
Nominal discharge current (8/20)	$I_n$	kA	50
Arrestor surge current (8/20) [total]	$I_{Total\ 8/20}$	kA	125
Voltage protection level	$U_p$	kV	<1,3
Response time	$t_A$	ns	<100
Follow current interrupt rating	$I_{fi}$	kA	25
Maximum back-up fuse		A	500
Temperature range	$\vartheta$	°C	-40 - +85
Division unit TE (17.5 mm)			8
Connection cross-section, rigid		mm <sup>2</sup>	10 - 50
Connection cross-section, multi-wire		mm <sup>2</sup>	10 - 35

## Connection-/Circuit diagram

Connection cross-section, flexible

mm<sup>2</sup>

10 - 25

## Legend



Lightning current-tested



Russia, GOST The State Committee for Standards



5-year warranty



Communautés Européennes, EC declaration of conformity according to EC directives



Protection rating IP 65



230/400 V system



Protection device to DIN EN 61643-11 or IEC 61643-11



Transition from LPZ 0 to LPZ 2