

Solutions for residential buildings



THINK CONNECTED.

# Solutions for residential buildings

---

The place where we feel safest and most secure must surely be within our own four walls. OBO offers a wide range of electrotechnical components that help people live a safe and comfortable life in the haven of their homes.

---



# Contents

## **Think connected.**

OBO means thinking in networks and acting systematically. We combine our products to produce solutions for your residential project, from photovoltaic systems on the roof, to electrical appliances inside the building, right down to complete, intelligent building control equipment.

Effective fire protection and resilient escape route installations are essential for general public safety, i.e. in larger multiple dwellings. Aesthetic designer device installation trunking and underfloor systems mean increased comfort in your own home, and OBO lightning and surge protection systems prevent the failure of computers, TVs and hi-fi components.

---

## **Underfloor systems**

---

## **Lightning and surge protection systems**

---

## **Fire protection systems**

---

## **Screw and attachment systems**

---

## **Cable routing systems**

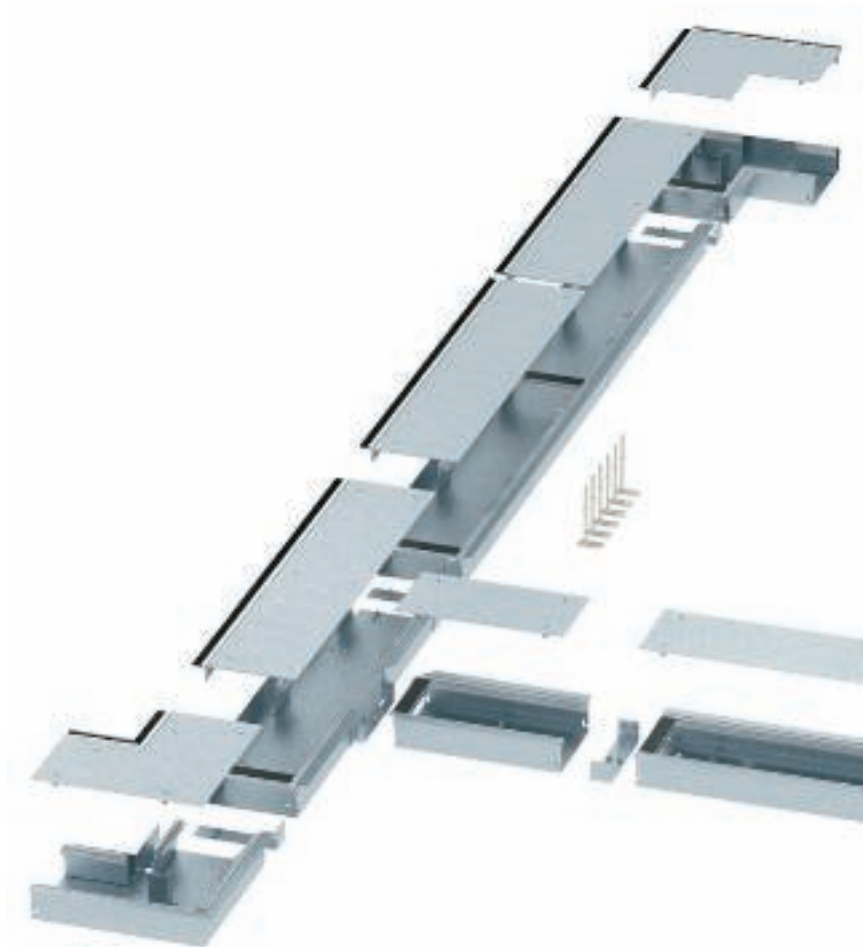


## Supplying power from the floor: the elegant OKB brush bar trunking system



Our OKB brush bar duct system allow the almost invisible supply of power and data to rooms. This means that the system is predestined for use in high-quality private housing, offices or also exhibition areas. When installed, the only thing you can see is the brush bar in the wall, which looks like a concealed joint. One of the great strengths of the system is its flexibility – from the planning phase

through to later use. The OKB system can be adapted perfectly to the appropriate room situation. A supply duct allows easy connection. The breakable openings for inserting pipes means that any point in the system can be combined with our complete solutions, for example to supply a freestanding desk in a room.



## To the point: complete underfloor units

### Round the houses

OBO complete units made from solid metal are equipped with a Schuko socket, to which data connections can be added, if required. Their round covers come in a choice of platings – chrome, nickel, brass and copper – and can be integrated with precision into floor coverings of different colours. Closed, they can be wet-cleaned.

### Beauty, squared

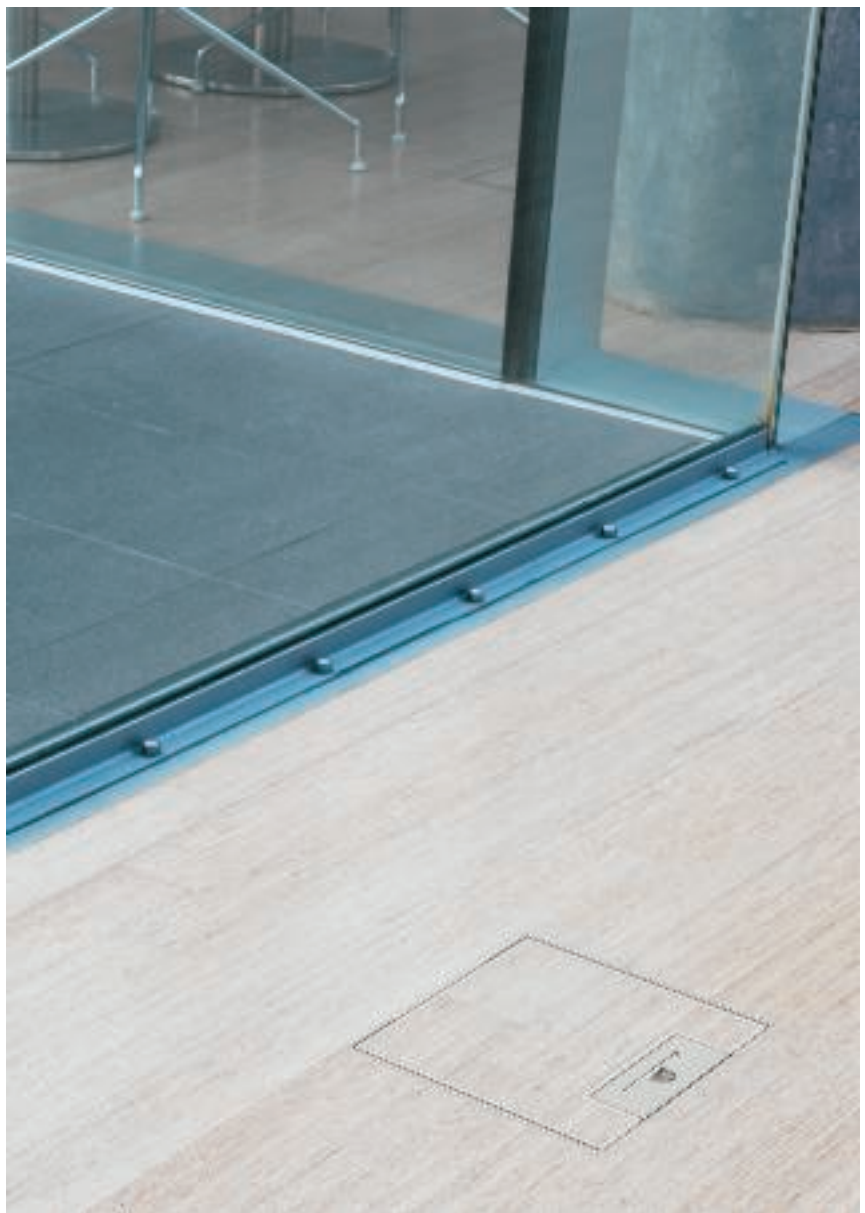
Made from high-grade materials, GE2 service outlets can be integrated wherever small, discreet supply solutions are required. These square inserts are available with a cable outlet, a combination of cable outlet and floor covering recess, or a tube body – and all of that in pure stainless steel. There could not be a more stylish way to bring electricity and data into an upmarket building.

### Hidden talent

The UDHome service outlet makes installed power and data connections almost invisible. Once installed, all you can see is a metal edge and cable outlet made from solid stainless steel or brass. Inside the two sizes of unit (UDHome4 and UDHome9) there is enough space for complex supply solutions.



Above: GE2 with tube body  
Left: GESRM2



Top: chrome-plated GESRM2  
Bottom: UDHome4  
Left: GE2 with cable outlet

## Integrated lightning and surge protection: perfect protection against the elements



### The millisecond with lasting consequences

If it strikes a building, lightning can endanger people and property. Furthermore, electrical equipment is often damaged by electrical surges in the mains network. These surges can be caused by nearby lightning discharges, and by switching activities in medium- and low-voltage networks. The result can be the destruction of electrical equipment and communications installations, and the loss of data as well.

### Integrated lightning and surge protection from OBO

OBO systems protect people and property reliably. Air termination systems, conductors and earthing systems provide external lightning protection, while equipotential bonding and surge protection equipment protects against the effects of lightning current. Only if all these components are installed is genuine protection afforded. OBO supplies all of these elements - perfectly matched and from a single source.



*External lightning protection with a PV system installed on a pitched roof*







Top: air terminal system on a thatched roof with grey isCon®arrestors  
Bottom: equipotential bonding rail

## Effective surge protection for power and data lines

### For the safe enjoyment of television, radio and Internet

Modern technical progress has not stopped outside our own four walls. Modern residential buildings are virtually inconceivable without electronics. Computers, satellite receivers, televisions, hi-fi components and building control equip-

ment all need to be protected against failure. OBO offers easy-to-install devices for comprehensive protection against destruction caused by electrical surges, for all aspects of residential building from basic mains protection to the fine protection of data lines.





## When every minute counts: solutions for fire protection



### Protecting and preserving

There are three fire protection aims that have to be fulfilled in multiple dwellings and large buildings: limiting the spread of fire, securing escape and rescue routes, and maintaining electrical functions that are essential to living. OBO systems help make sure that these aims are met in buildings throughout the world.



*Function maintenance system in the power supply centre*



**Escape route systems**

OBO offers a comprehensive range of tested systems that help keep escape and rescue routes usable. They include fire protection ducts, grouped supports, pressure clips, cable trays and much more besides.

**Insulation systems**

OBO fire insulation allows holes in walls and ceilings to be closed off securely, thus helping to ensure that fire does not spread to neighbouring parts of a building.



## Electrical installations: from rugged to slick





### **Rugged cable routing for basements and utility rooms**

In some rooms, practicality comes before looks, and that is where the highly resilient OBO screw and attachment systems and cable routing systems reveal their clear economic benefits.

### **Elegant solutions for living rooms and workrooms**

Living and workspaces are quite another matter. Underfloor systems and the new GAD designer device installation trunking offer stylish, upmarket solutions for bringing power and data to the places they are needed.



[www.obo-bettermann.com](http://www.obo-bettermann.com)



**OBO BETTERMANN GmbH & Co. KG**

P.O. Box 1120  
58694 Menden, Germany

**Customer Service Germany**

Tel. +49 (0)2373 89-1500  
Fax +49 (0)2373 897 777  
E-mail: [info@obo.de](mailto:info@obo.de)

**THINK CONNECTED.**